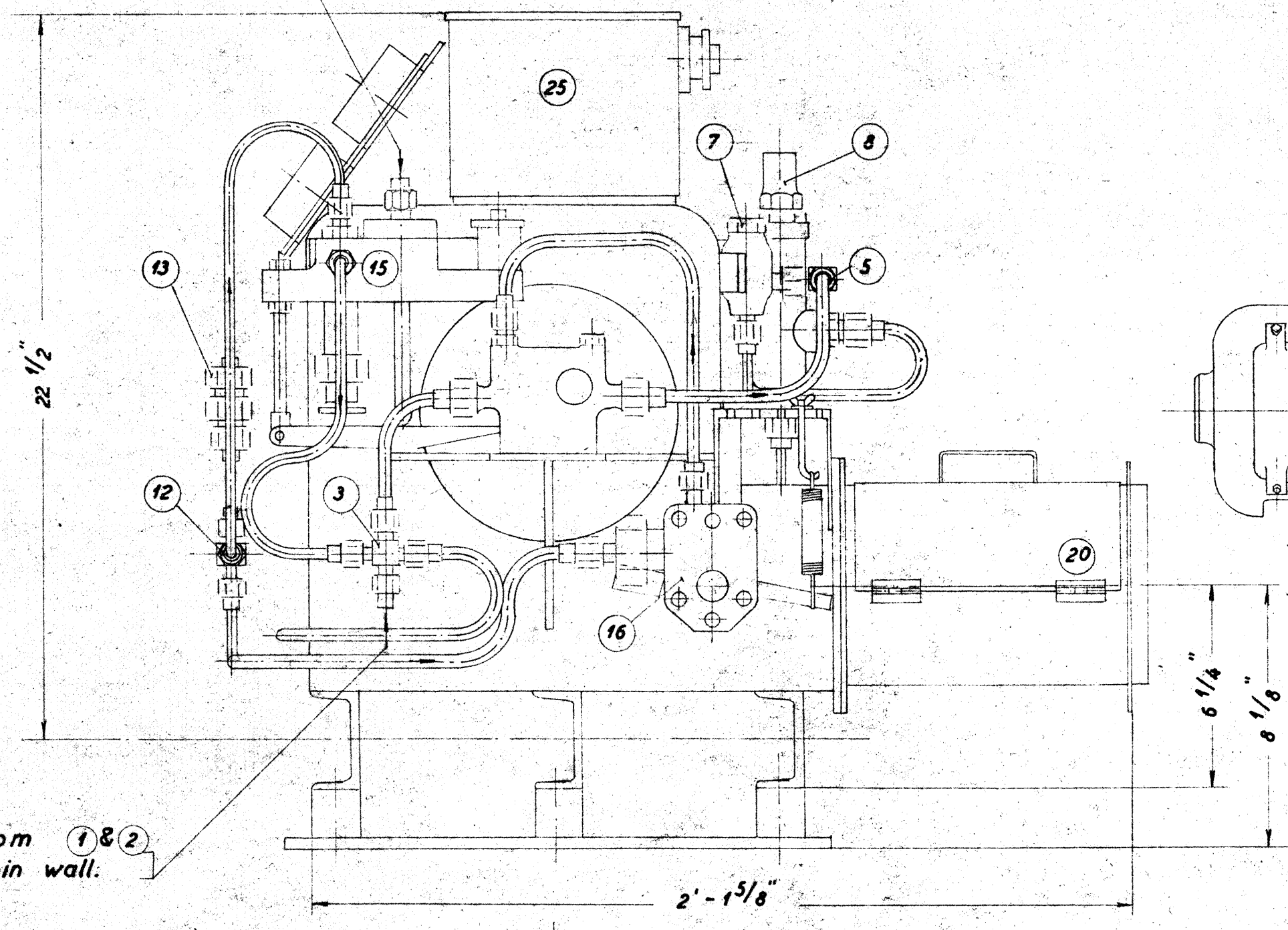
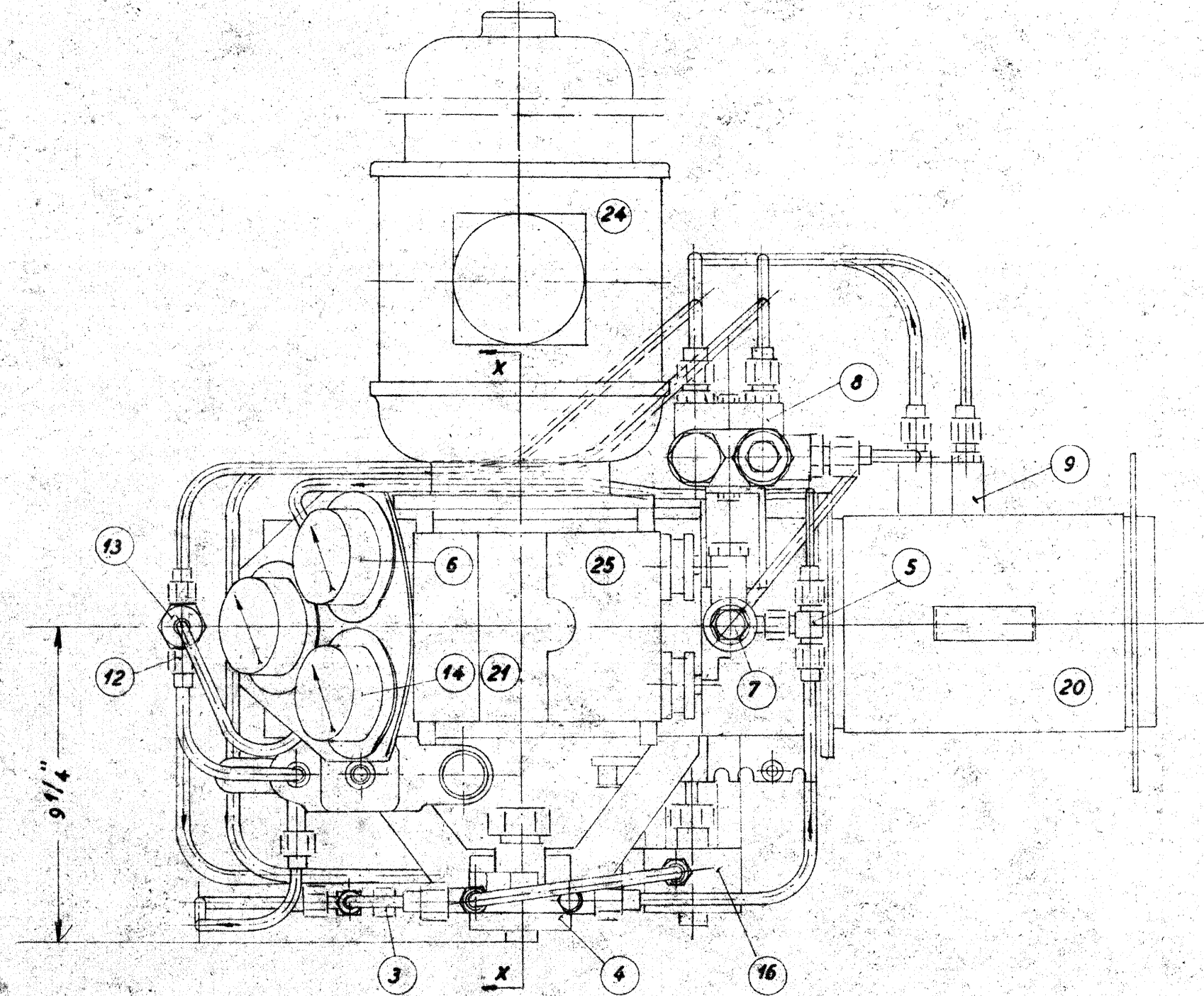


dampfilgang

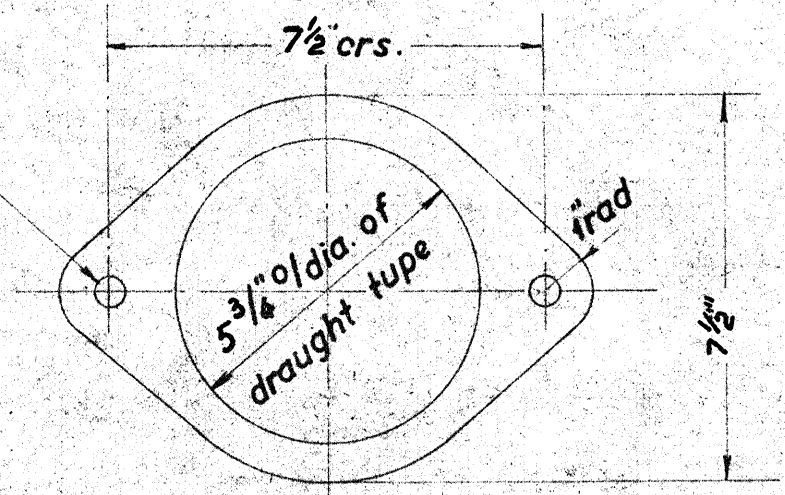
steam from boiler connection to suit 3/8" dia. pipe



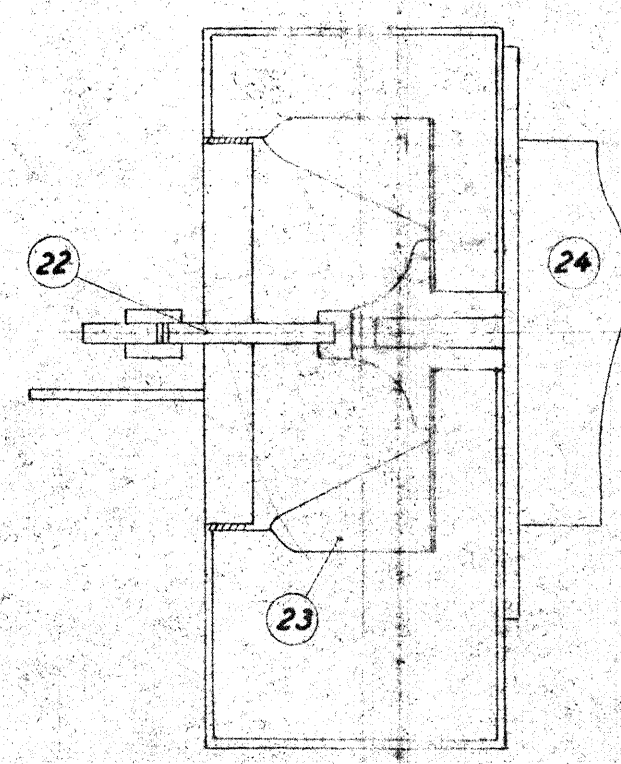
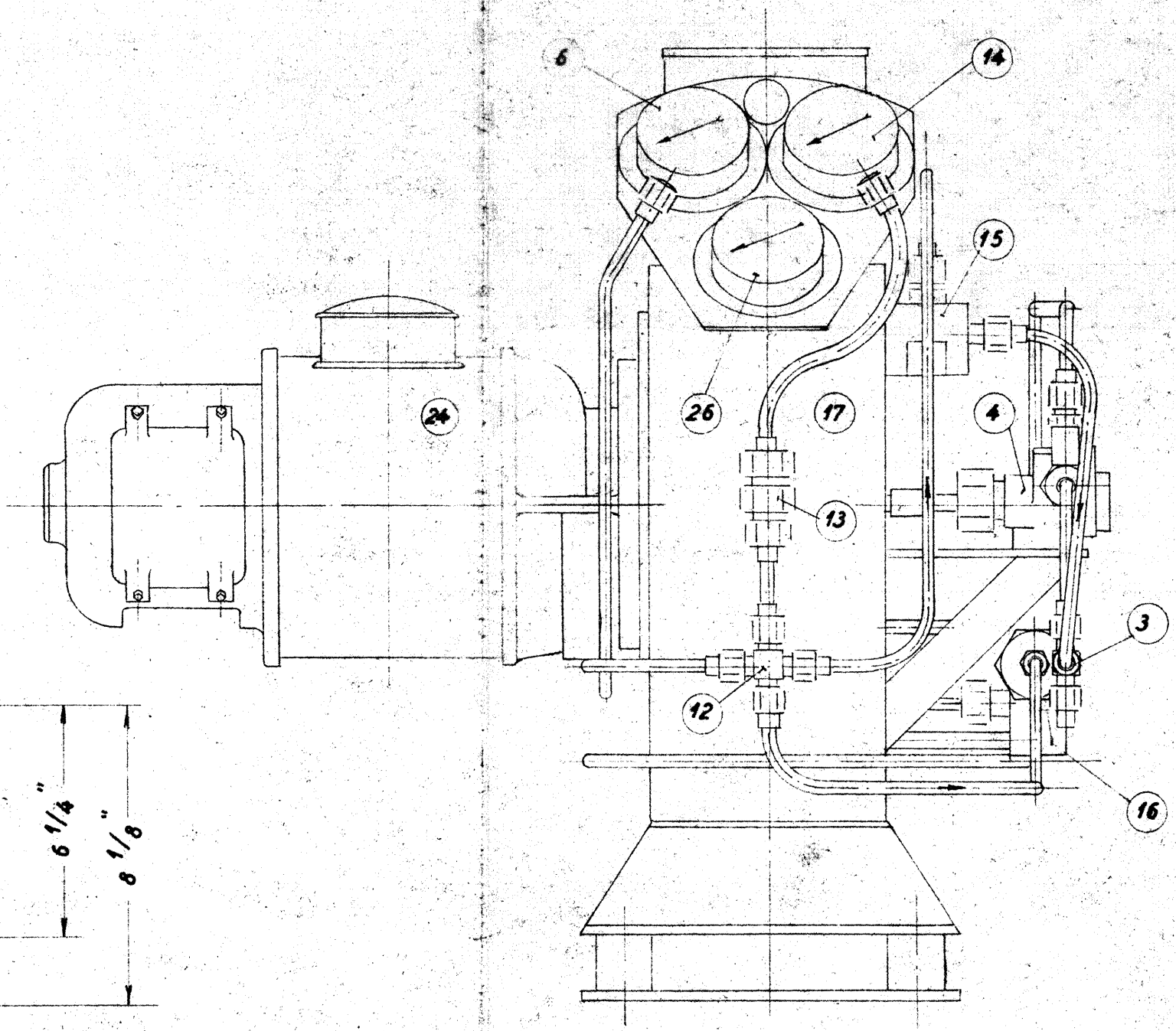
flexible tube from (1 & 2) mounted on cabin wall. olietilgang



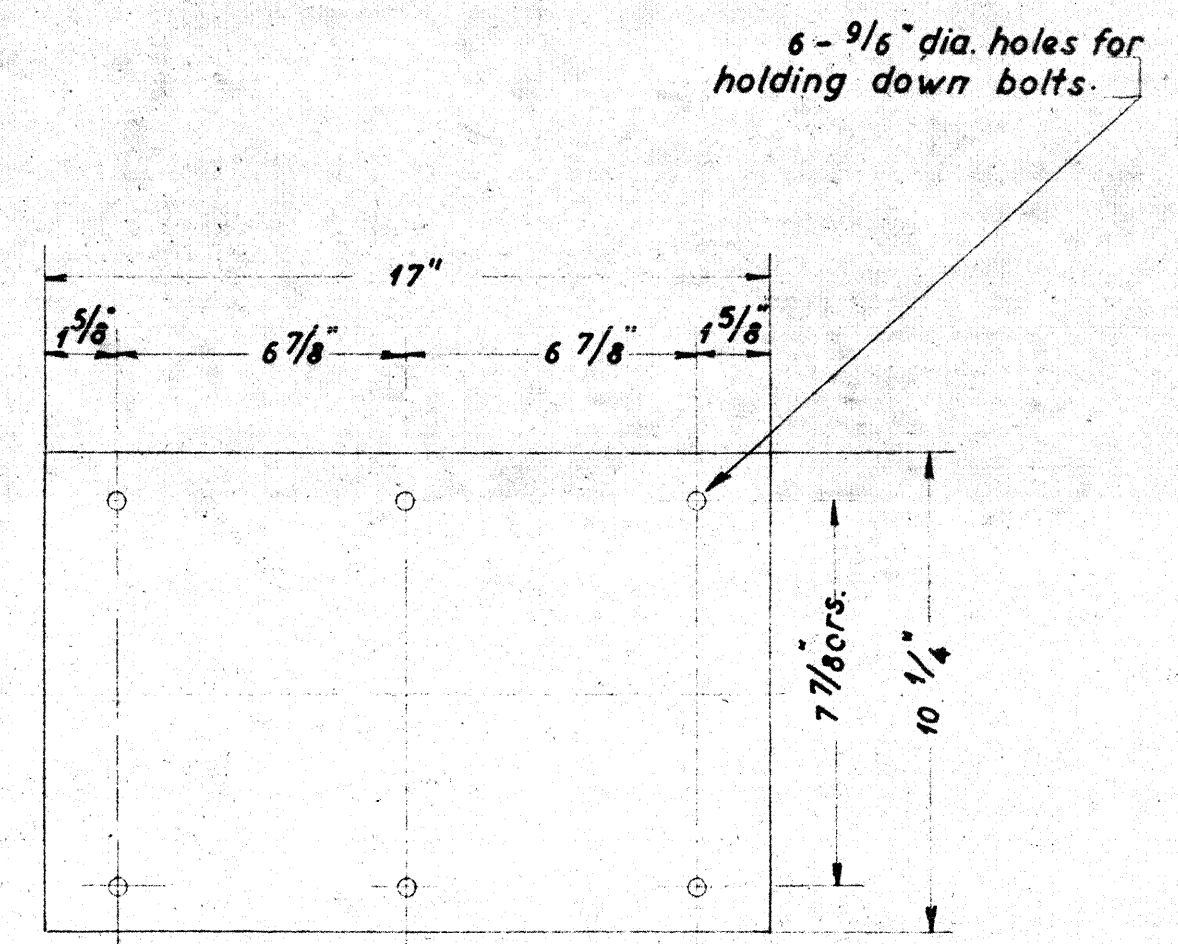
2 - 5/8 dia. holes for 1/2" bolts.



position of bolts on draught tube flange



section thro x.x



detail of holes in baseplate supplied by clients 5 mm thk. m.s. plate.

List of parts.

Ref. no.	Description	Bore	Part nr.	Material	Drng. no.	Remarks
1	oil suction valve	3/8 BSP		gunmetal	-	fig. no. 227.
2	oil suction strainer	1/4"		burner metal	H.S. 43837.	type "Pkt."
3	oil suction cross piece	3/8 BSP		brass	-	conn. AX.
4	oil circulating pump			burner metal	PP 48237	type 1 P.
5	oil delivery line lee piece	1/4 1/4 1/4		"		conn. R.J.
6	" " " pressure gauge			various		3" dial. 0-18 kgs/cm ²
7	" " " strainer	1/4"		burner metal	H.S. 46 885	type "5"
8	" " " double shut-off 22107 valve MK 3			"	V.E. 49374	
9	quick release manifold	1/4"		"	O. 46143/1	
10	oil burner			various	O. 46143	
11	quick release mechanism			mild steel	O. 46143	
12	oil return cross piece	3/8 BSP		brass		conn. AX.
13	pressure gauge vibration suppressor			"	F.W.S. 48 77	
14	oil return pressure gauge			various		3" dial. 0-14 kgs/cm ²
15	auto pressure control valve			burner metal	VE. 47323	
16	air damper control valve	1/4"		"	VE. 47305	
17	fan casing			mild steel	O. 49230	
18	draught tube			"	O. 49230	
19	air director			"	O. 46131	
20	inspection door			"	O. 49230	
21	nameplate			burner metal		
22	spring drive			various	49227	"PP" type fan boss 60 drg no 46124 fan impellor no 71/2 climax
23	fan impeller			"		
24	electric motor			"		O.P. 106.
25	ignition coil			"		
26	feed water pressure gauge			"		3" dial. 0-5 kgs/cm ²

Laidlaw Drew & Co. tegn. nr. 049249

Stk.	Betegnelsen	Pos.	Materiale kvalitet	Model nr. eller materiale storrelse	i færdig vmsl/sik
Tegn.	Rev.	Aid.	Målesk: 1/4		
Kalk. V.T.O. 29-4-49 Norm.	Date	Indeks	FRICHS		
Anvendelse			Stykliste nr.		
Diesel-oliefyr 500/550 hk motorvogn			Tegningens nummer		
Aut. oliefyr P55			18W-2086		